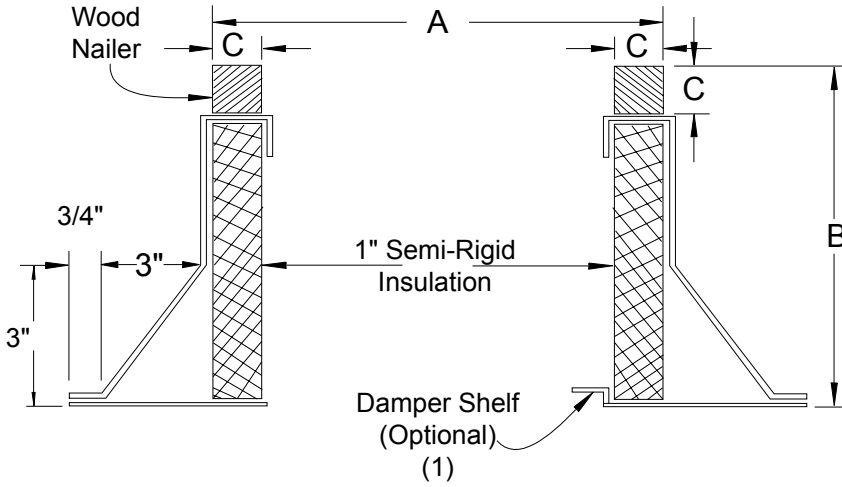


INSULATED CANTED ROOF CURB NON-PROPELLER PRODUCTS



6393 Powers Avenue
Jacksonville, Florida 32217-2298
P: 904.731.4711 / F: 904.737.8322
www.Jencofan.com



OPTIONS:

1. Damper Shelf.
2. Metal Liner - solid or screen type.
3. Burglar bars - 1/2" dia. on 6" centers.
4. Finishes - baked or air-dried enamel or epoxy.
5. Heights: 8, 12, 16, 18, 20, 24" or special heights.
6. Single pitch or double pitch.
7. Aluminum construction.
8. Standard curb is "RF" roof over type.
("SF" available upon request)

| FAN SIZE | "A" OD (Square) CURB | | | | DB | | "B" CURB HEIGHT | "C" WOOD NAILER |
|----------|----------------------|--------|--------|-----------|----------|-------------|-----------------|-----------------|
| | TXB | TXD | RCX11 | RED / LPD | FAN SIZE | CURB OD "A" | | |
| 6 | - | 14-3/4 | - | 14-3/4 | 6 | 14-3/4 | 12" STD | 1-1/2" Sq |
| 8 | 14-3/4 | 14-3/4 | 14-3/4 | 14-3/4 | 8 | 14-3/4 | | |
| 10 | 14-3/4 | 14-3/4 | 14-3/4 | 14-3/4 | 9 | 14-3/4 | | |
| 12 | 22-1/4 | 22-1/4 | 22-1/4 | 22-1/4 | 11 | 22-1/4 | | |
| 15 | 22-1/4 | 22-1/4 | 22-1/4 | 22-1/4 | 12 | 22-1/4 | | |
| 18 | 27-3/4 | - | 27-3/4 | - | 14 | 22-1/4 | | |
| 20 | - | - | 27-3/4 | - | 16 | 22-1/4 | | |
| 24 | 33-3/4 | - | 33-3/4 | - | 18 | 27-3/4 | | |
| 26 | - | - | 33-3/4 | - | 20 | 27-3/4 | | |
| 30 | 40-3/4 | - | 40-3/4 | - | 24 | 33-3/4 | | |
| 33 | - | - | 40-3/4 | - | 30 | 40-3/4 | | |
| 36 | 40-3/4 | - | 40-3/4 | - | 36 | 40-3/4 | | |
| 42 | 53-1/4 | - | - | - | 42 | 53-1/4 | | |
| 48 | 53-1/4 | - | - | - | 48 | 53-1/4 | | |

1. Damper shelf opening to be 1" less than damper size. Shelf must be specified if required. ROOF OPENING
2. All curbs are 18 gauge G-90 galvanized steel with continuous seams. Curb O.D. (A Dimension) Less 3.25 inches
3. See current curb submittal for all propeller fan roof curbs.

| ACCESSORY ITEMS | 1 | 2 | 3 | 4 | 5 | ACCESSORY ITEMS | 1 | 2 | 3 | 4 | 5 |
|--------------------------|---|---|---|---|---|--------------------------|---|---|---|---|---|
| <input type="checkbox"/> | | | | | | <input type="checkbox"/> | | | | | |
| <input type="checkbox"/> | | | | | | <input type="checkbox"/> | | | | | |
| <input type="checkbox"/> | | | | | | <input type="checkbox"/> | | | | | |
| <input type="checkbox"/> | | | | | | <input type="checkbox"/> | | | | | |
| <input type="checkbox"/> | | | | | | <input type="checkbox"/> | | | | | |

Project: _____ Submitted: _____
 Customer: _____ Approved: _____
 Location: _____

TYPE SF SELF-FLASHING CURB

JencoFan

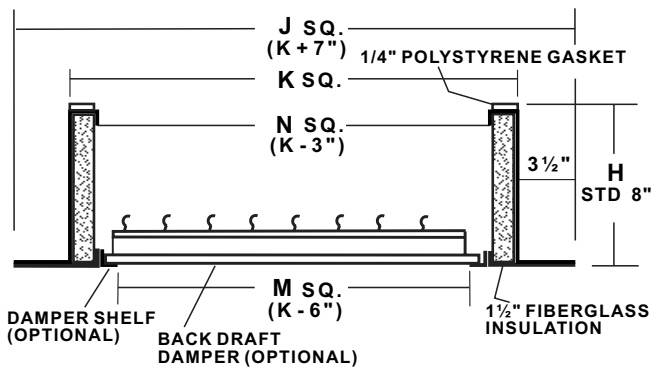
6393 Powers Avenue
Jacksonville, Florida 32217-2298
P: 904.731.4711 / F: 904.737.8322
www.Jencofan.com

Soler&Palau
Ventilation Group

STANDARD FEATURES

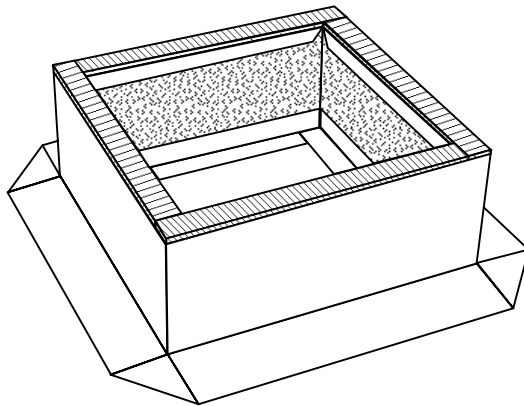
- Constructed of 18 ga. galv. steel with continuous welded seams and integral base plate for water tightness and extra strength.
- Wide base flashing to insure adequate bond to roofing surface for water tight seal to roof.
- Lined with 1-1/2" fire proof sound attenuating thermal insulation.
- Top of curb covered with 1/4" polystyrene gasket for weather seal and to reduce metal to metal conducted noise.

| | |
|--------------|----------|
| PROJECT | |
| LOCATION | |
| ARCHITECT | |
| ENGINEER | |
| CONTRACTOR | |
| SUBMITTED BY | |
| DATE | P.O. NO. |



OPTIONS

- Constructed of .063" aluminum.
- Interior metal liner.
- Standard heights of 12, 14, 16, 18, 20, 24", or any special height.
- Damper shelf - standard or custom size opening.
- Wide flange (6" or 8" wide).
- Backdraft damper.
- Protective or decorative coatings.
- Heavy-gauge construction.



SPECIFICATIONS AND DIMENSIONS

| REFERENCE | QUANTITY | GALV. OR ALUM. | K | N | M | H | OPTIONS |
|-----------|----------|----------------|---|---|---|---|---------|
| | | | | | | | |

**CURB CAP ADAPTOR
SPUN PRODUCTS ONLY
(+ or - 4 inches)
Square ONLY - NO Rectangles**



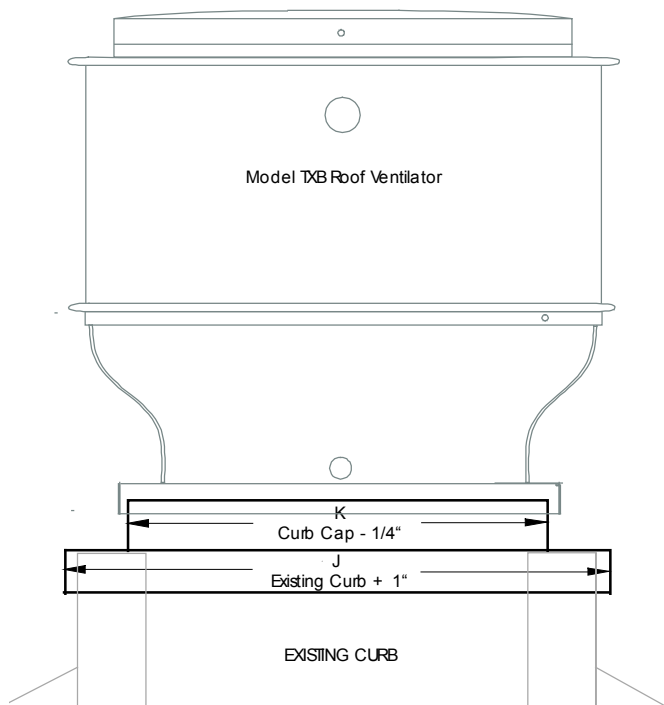
6393 Powers Avenue
Jacksonville, Florida 32217-2298
P: 904.731.4711 / F: 904.737.8322
www.Jencofan.com



STANDARD FEATURES

- Heavy-gauge aluminum construction with continuous welded seams for water tightness and extra strength.

| | |
|--------------|----------|
| PROJECT | |
| LOCATION | |
| ARCHITECT | |
| ENGINEER | |
| CONTRACTOR | |
| SUBMITTED BY | |
| DATE | P.O. NO. |



K - MEASUREMENT
1/4" LESS THAN FAN BASE

J - MEASUREMENT
1" LARGER THAN EXISTING CURB O.D.

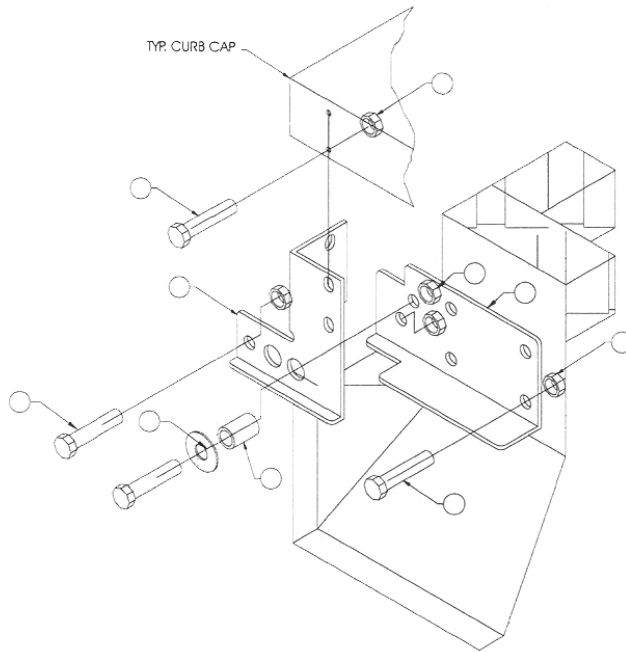
| SPECIFICATIONS AND DIMENSIONS | | | | |
|-------------------------------|----------|---|---|---------|
| REFERENCE | QUANTITY | K | J | OPTIONS |
| | | | | |

CURB HINGE ACCESSORY

JencoFan

6393 Powers Avenue
 Jacksonville, Florida 32217-2298
 P: 904.731.4711 / F: 904.737.8322
 www.Jencofan.com

Soler&Palau
 Ventilation Group



| ITEM # | PART # | DESCRIPTION | QTY | ITEM # | PART # | DESCRIPTION | QTY |
|--------|----------|--------------------------|-----|--------|----------|--------------------------|-----|
| 1 | 634012 | 3/8" Flat Washer | 2 | 6 | 90005802 | Hinge Bracket Left Half | 1 |
| 2 | 634025 | 3/8-16 Loknut | 2 | 7 | 90005101 | Curb Hinge Bracket Right | 1 |
| 3 | 603656 | 3/8 x 1-1/4" Long Spacer | 2 | 8 | 634002 | 5/16-18 x 3/4 Hex Bolt | 16 |
| 4 | 634138 | 3/8-16 x 2" Long Bolt | 4 | 9 | 634027 | 5/16-18 Flange Nut | 16 |
| 5 | 90005702 | Hinge Bracket Right Half | 1 | 10 | 90005201 | Curb Hinge Bracket Left* | 1 |
| | | | | 11 | 634028 | 13/8-16 Flange Nut | 2 |

*Items on opposite side, not shown

Note: Curb cap needs to be 1/2" minimum larger than the roof curb or roof curb adaptor to allow for bolt head clearance and curb cap tilting around the roof curb or roof curb adaptor.

1. With fan in place on roof curb, locate the hinge cap on both end, mark the holes for 5/16" diameter bolts, drill (8) 11/32" diameter holes at the marked locations.
2. Attach the hinge cap (items 6 & 7) to curb cap or fan using (8) 5/16" bolts & flanged nuts, locate bolt head on the inside of the curb cap.
3. With unit in place on roof curb, align curb hinge on roof curb or curb cap adaptor as shown and mark the (8) locations in the roof curb or curb adaptor**.
4. Drill (8) 11/32" diameter holes in previously marked hole locations.
5. Attach curb hinge to roof curb using (8) 5/16" diameter bolts.
6. You can now tilt the fan open about 60°, use the 3/8" bolt to lock the fan in place and prevent it from tipping or slamming shut.
7. Remove the locking bolt when closing back the fan in place, store the bolt next to the fan for future openings or locks.

CAUTION: Make sure to remove grease box (if applicable) when tilting the fan to prevent any spillage.

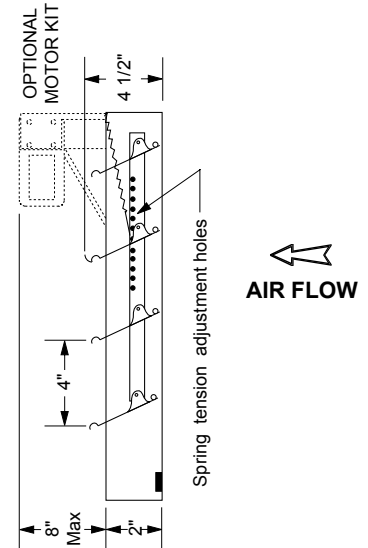
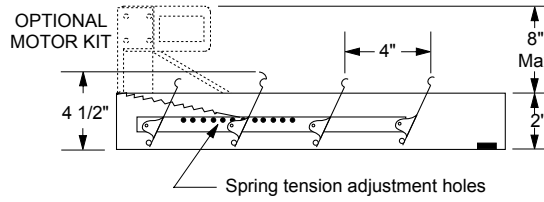
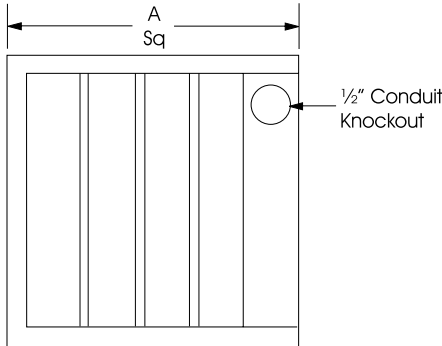
** Two hinge pivot holes are provided in the curb hinge to allow the curb hinge to be mounted higher or lower on the roof curb as required.

BACKDRAFT DAMPER FOR ROOF MOUNTED AND INLINE CENTRIFUGAL/PROPELLER EXHAUST FANS

JencoFan

6393 Powers Avenue
Jacksonville, Florida 32217-2298
P: 904.731.4711 / F: 904.737.8322
www.Jencofan.com

Soler&Palau
Ventilation Group



CAUTION: Motor kits are not suitable for use in explosive or flammable areas or airflows.

For low velocity (CFM) field adjustment of spring tension may be required to ensure that damper blades open completely.

| FAN SIZE | CENTRIFUGAL ROOF FANS | INLINE FANS | | PROPELLER |
|----------|------------------------|-------------|------------|------------|
| | DB, RED, TXB, LPD, TXD | SQB | SQD | ARE |
| | "A" SQUARE | "A" SQUARE | "A" SQUARE | "A" SQUARE |
| 6 | 11 | - | 9 | - |
| 7 | - | 12 | - | - |
| 8 | 11 | 12 | 12 | - |
| 9 | 11 | - | - | - |
| 10 | 11 | 14 | 14 | 14 |
| 11/12 | 18 | 18 | 18 | 18 |
| 14 | 18 | - | - | - |
| 15 | 18 | 22 | 20 | - |
| 16 | 18 | - | - | 22 |
| 18 | 24 | 24 | - | - |
| 20 | 24 | 28 | - | 26 |
| 24 | 30 | 35 | - | - |
| 30 | 36 | 40 | - | - |
| 36 | 36 | 48 | - | - |
| 42 | 48 | 54 | - | - |
| 48 | 48 | - | - | - |

STANDARD SPECIFICATIONS:

Maximum Face Velocity: 2250 fpm.
Dimensions: See sizing chart
"A" Dimension is square damper size.
Frame: Galvanized steel, 2" Deep
Blades: 26 gauge Mill Finish aluminum.
Blade pivots: Stainless steel rivet at all pivot points.
Seals: Felt between adjacent blades.
Counter Balance: Adjustable spring tension.
Finish: Mill.
Max Temp: Damper 250° F
Motor 130° F

CAUTION: Motor kits are not suitable for use in explosive or flammable areas or airflows.

NOTES:

- (1) Units are undersized 1/4" to fit in square ducts.
- (2) Do not mount fan less than 1/3 diameter of the fan from the damper.
- (3) Dampers shipped in individual cartons.
- (4) Motor kits ship loose for field installation.

| ACCESSORY ITEMS | 1 | 2 | 3 | 4 | 5 | ACCESSORY ITEMS | 1 | 2 | 3 | 4 | 5 |
|--------------------------|---|---|---|---|---|--------------------------|---|---|---|---|---|
| <input type="checkbox"/> | | | | | | <input type="checkbox"/> | | | | | |
| <input type="checkbox"/> | | | | | | <input type="checkbox"/> | | | | | |
| <input type="checkbox"/> | | | | | | <input type="checkbox"/> | | | | | |
| <input type="checkbox"/> | | | | | | <input type="checkbox"/> | | | | | |
| <input type="checkbox"/> | | | | | | <input type="checkbox"/> | | | | | |

Project: _____ Submitted: _____
 Customer: _____ Approved: _____
 Location: _____